

Sky-loop amusement ride, Maurer Söhne



Photos: © Skyloop Maurer Söhne

Constructor:



H. Kesztyüs
Tel. 089/ 323 94 - 0

Customer:

Maurer Söhne
Frankfurter Ring 193
80807 München

Output PSS:

Execution und structural analysis
Detail design and development on
Steel construction



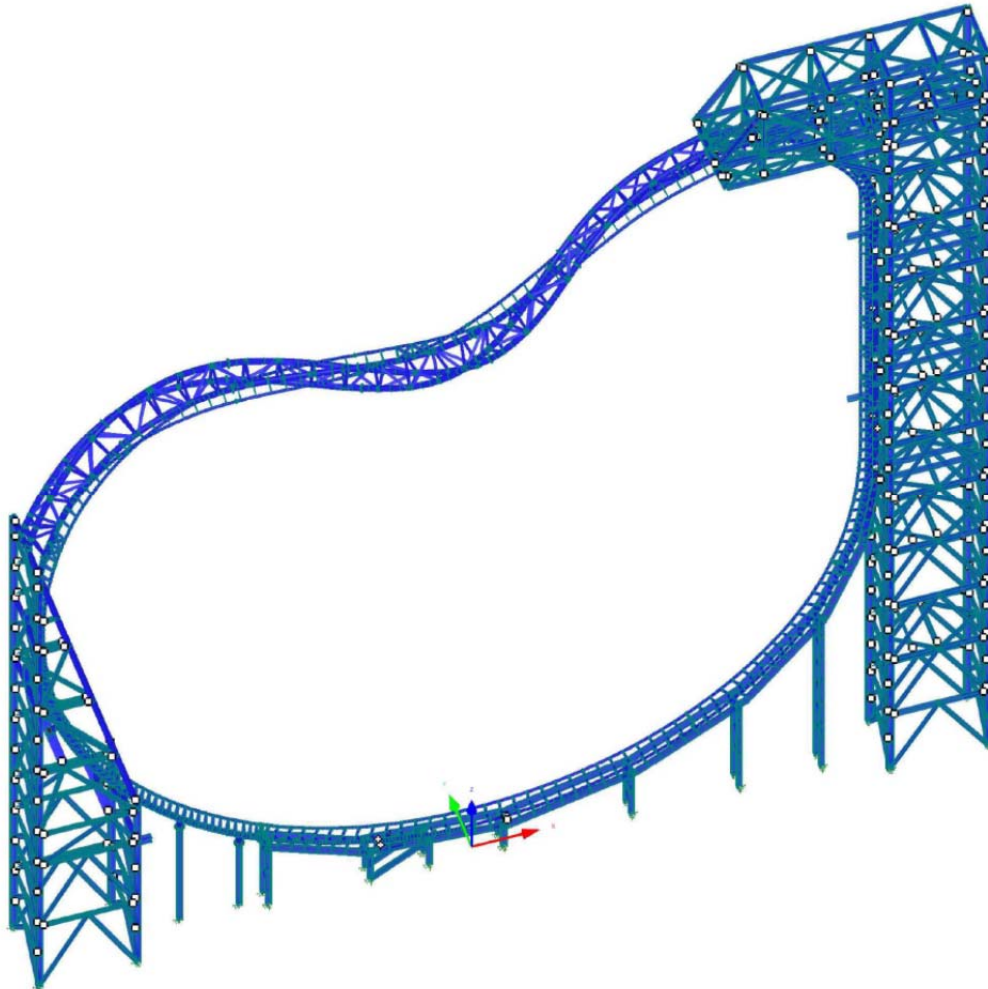


Photo : Skyloop – calculative System

Design basis DIN EN 1993-1-1 to 9 and accordingly to the fatigue detection under the influence in favor DIN EN 13814.

As indicated:

S235 $f_{yk} = 235 \text{ N/mm}^2$

S355 $f_{yk} = 355 \text{ N/mm}^2$

**DIN EN 1993-1-9:2010-12
EN 1993-1-9:2005 + AC:2009 (D)**

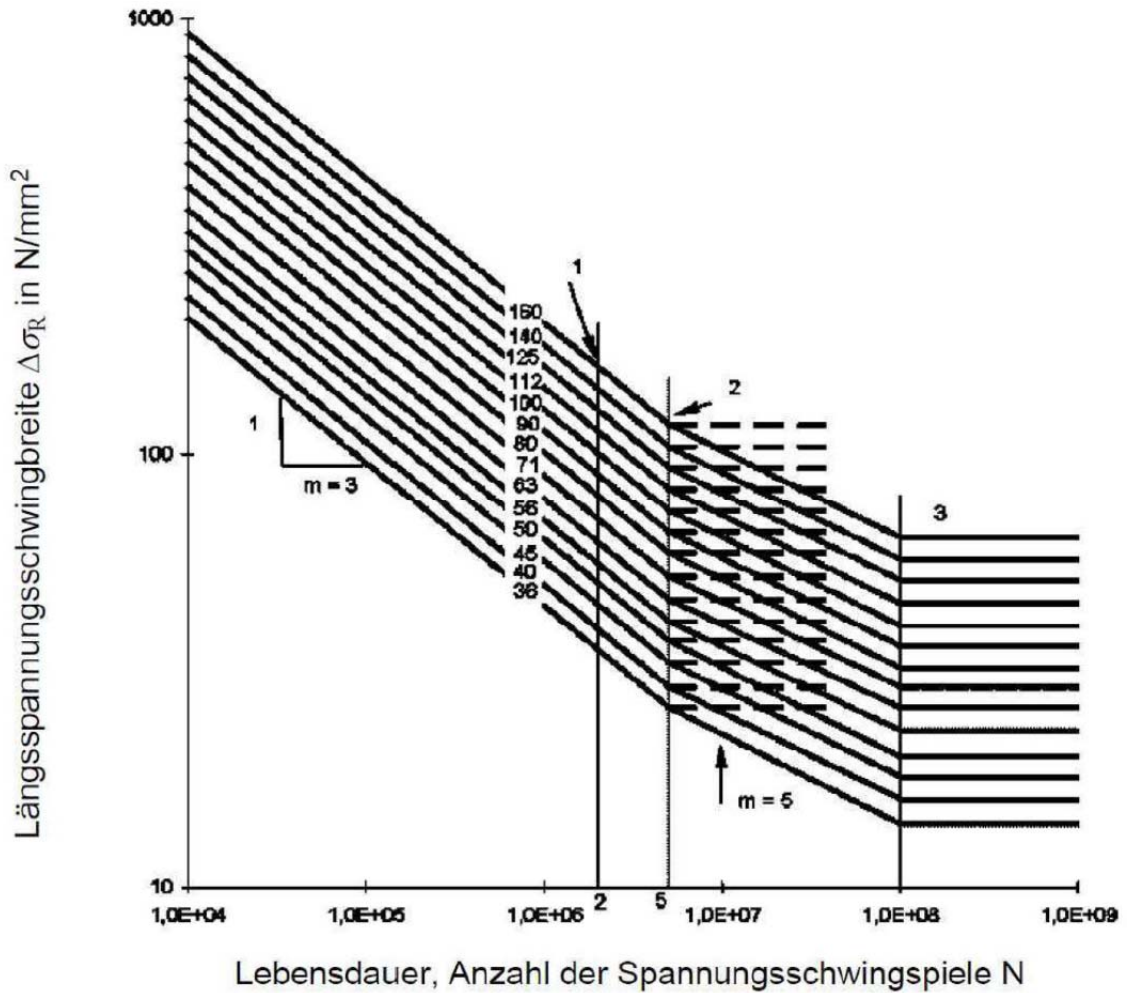
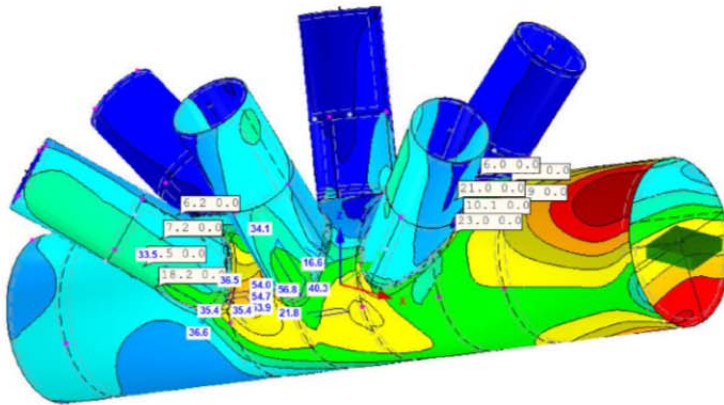


Photo: Design for dynamic loads on Euro code basis rank among as well on the global job-site



5 Gurt System

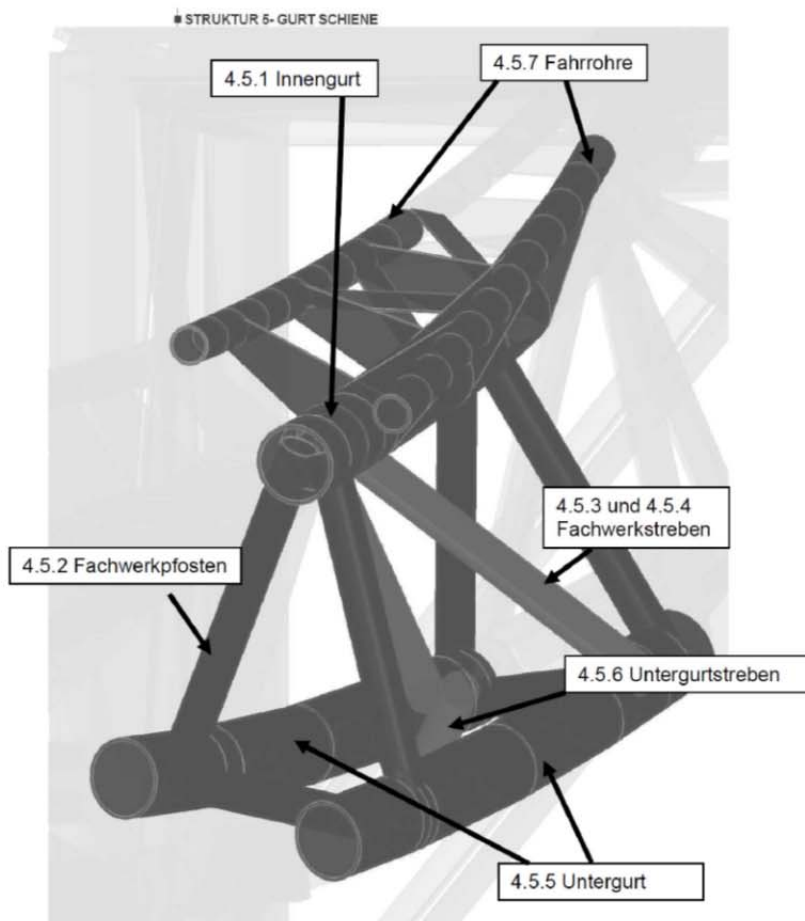


Photo PSS: FE Analysis for loads and dynamical demands where done for.

5.3.8 Antriebswelle

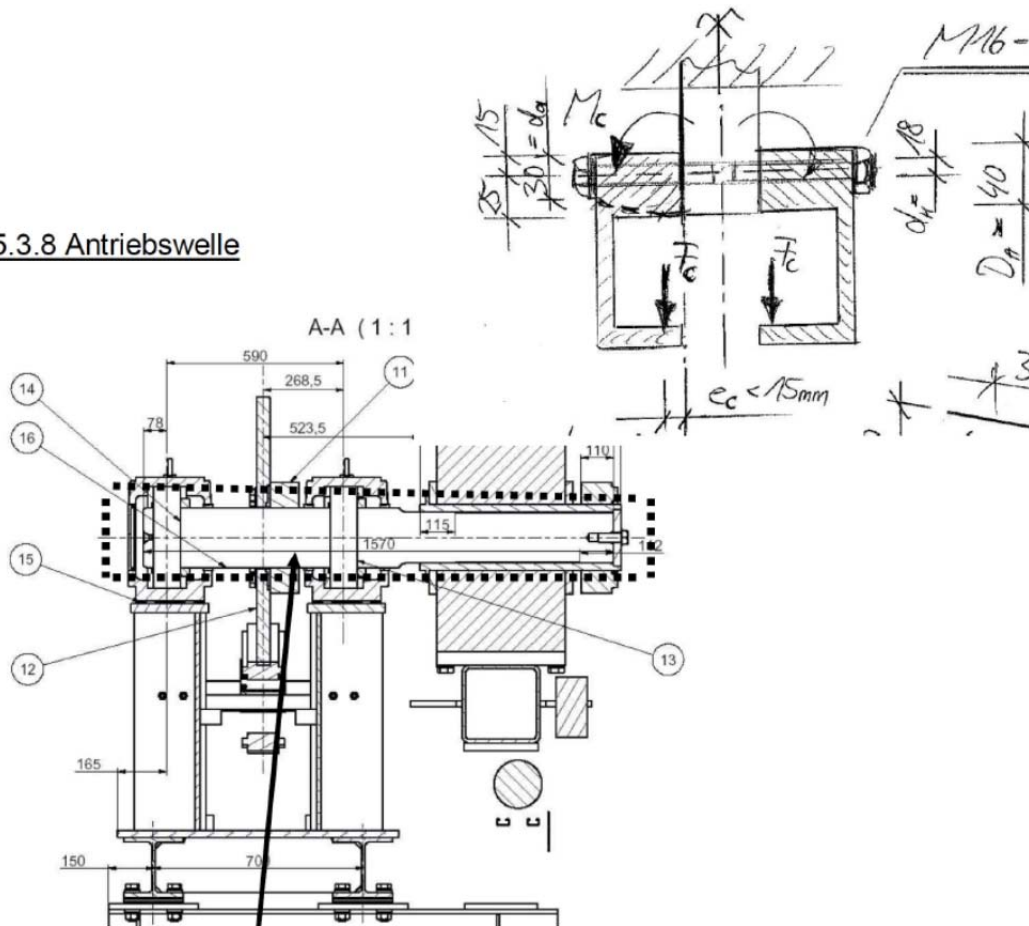


Photo PSS: Machine elements are component parts, associated detail evidence PSS